

CAUTION: This product is designed to accommodate a 4-9/16" minimum to 6-9/16" maximum wall thickness. If the wall is less than 4-9/16" thick the interior trim kit will need to be cut.

1) Frame in the rough opening, following the diagram for either an octagon (24" x 24") or an oval (24" x 36") window, as shown in Figures A and B.

2) Run a continuous bead of sealant around the inside perimeter of the nailing fin aligned with the pre-punched holes (Figure C).

CAUTION: When installing an Octagon window, the window must be installed with the molded word "TOP" located at the top of the rough opening. The oval window can be installed in either a vertical or horizontal orientation.

3) Before installing the unit, locate a level horizontal line at the center of the opening. Mark the line approximately 4" beyond the opening on each side so the mark will be visible after the unit is installed. Align the centering nub on the nail fin with the marks you have drawn on each side of the opening (Figure D).

4) Check to be sure the window is centered, plumb and level in the opening.

Using all of the slotted holes in the nail fin (8 in the oval frame and 16 in the octagon frame), fasten the assembled window frame to the rough opening (Figure E). Use fasteners that will penetrate a structural member by at least 1" with a head size larger than the pre-punched hole in the nail fin.

5) Loosely pack insulation around the window frame, on the interior, between the frame and the opening, or wrap insulation around the exterior of the interior trim kit to ease installation.

CAUTION: The use of expandable foam is not recommended. It may interfere with the interior trim kit installation and cause distortion or damage to the frame.

Fig. A - Typical Window Components
(Octagon shown)

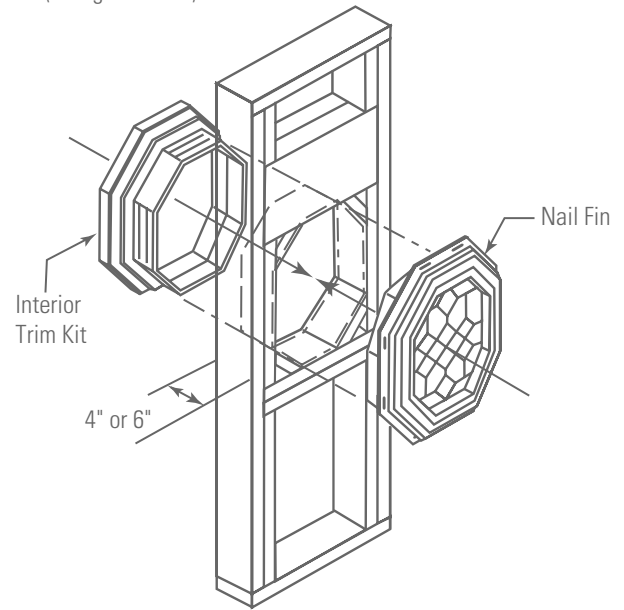


Fig. B - Assembled Window Frames

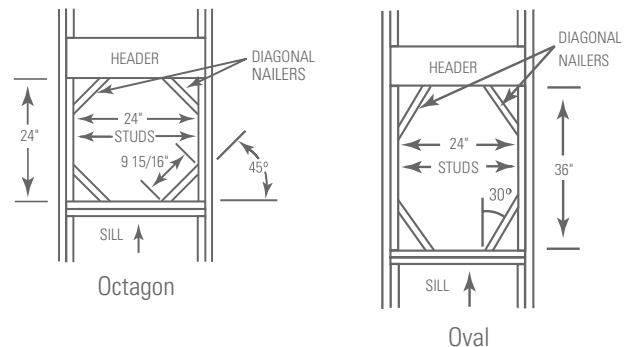


Fig. C - Applying Structural Adhesive (Octagon shown)

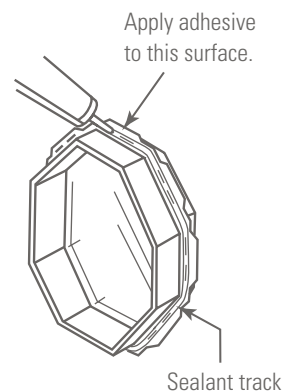
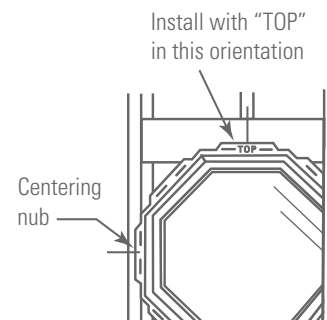


Fig. D - Align Center Nubs (Octagon shown).



6) Finish off the exterior of the window. If applying brick, stone, stucco, etc., make sure to leave a ¼" gap around the entire window frame to allow for fluctuation and expansion of materials and mortar. Be sure to use the proper grade of sealant to seal the entire perimeter of the window. Do not leave any gaps where water or outside elements can penetrate. Seal all areas prone to air or water infiltration.

7) Finish off by installing the interior trim kit. The trim kit can be installed using finishing nails or by applying a bead of structural adhesive to the back prior to installation (Fig. F)

8) After the interior trim kit is installed, use the proper grade of sealant to seal the entire perimeter gap between the interior trim kit and the assembled window frame (Octagon only, Figure G). See below for installing Decorative Trim Strip on Oval windows.

NOTE: Although the trim kit cannot be stained, it may be painted with a special paint called Krylon® Fusion. Hy-Lite will not accept returned windows that have been painted. Be sure to temporarily fit the window in the opening before painting. Krylon Fusion is specifically formulated for plastics and is available in 32 colors from retailers. To check availability visit www.krylon.com.

Installing Decorative Trim Strip (Oval Windows only)

- 1) Using tin snips, carefully cut the start of the trim strip square to the length.
- 2) DO NOT cut the end of the trim strip until you have wrapped it almost completely around the oval frame.
- 3) Using your thumb or a small block of wood, firmly press the trim strip into the channel around the oval frame (Figure H).
- 4) Cut the trim strip to the proper length and finish by pressing the remaining strip into the channel.
- 5) See Figure I for completed view.

Fig. E - Fastening the Assembled Window Frame
(exterior view/Octagon shown)

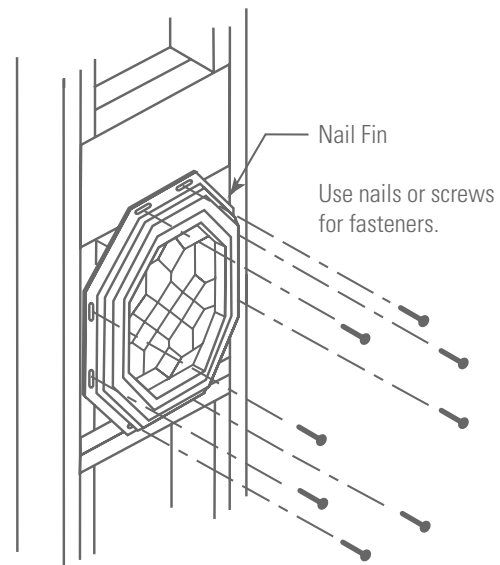


Fig. F Applying Structural Adhesive (Octagon shown)

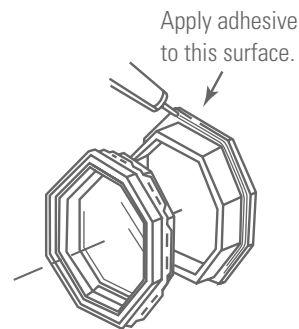


Fig. G – Seal joint along inside seam after Interior Trim Kit is installed (Octagon only).

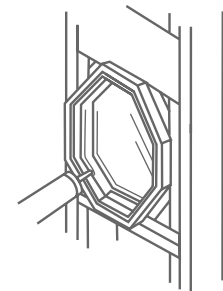


Fig. H



Fig. I