

Block Wall Instructions (Radius)

Hy-Lite block radius walls install in about 1 to 1-1/2 hours.

A) Carefully remove the wall from the skid and then remove the plywood reinforcing which is used to ensure that the wall does not flex during shipping.

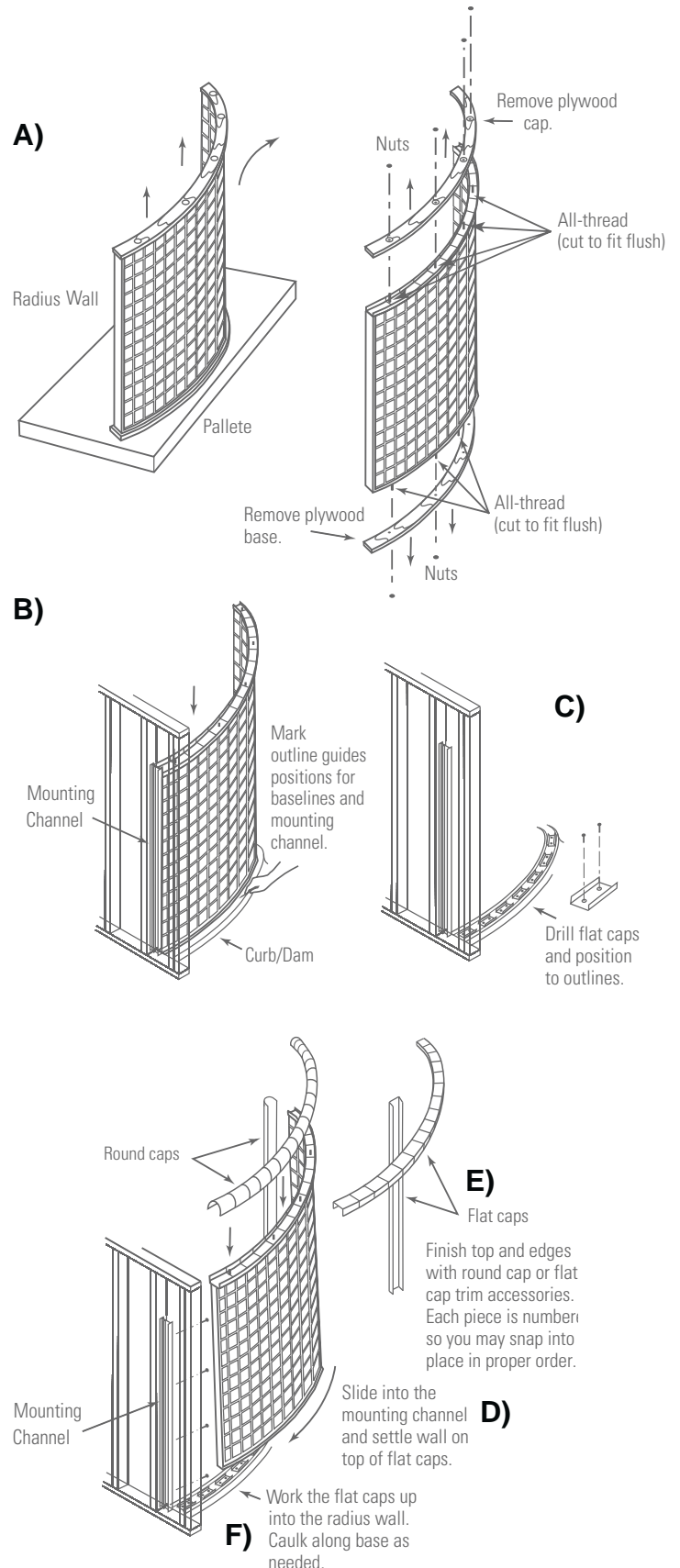
B) Securely fasten the mounting channel to a fixed wall.

C) Fasten the flat cap to the floor, or for a radius shower wall, to the curb.

D) Swing wall down at an angle while sliding it into the mounting channel. Then locate the wall over the flat cap and press firmly down to snap into place.

E) Add radius or flat cap to trim off wall. Note: For a radius wall the radius or flat cap is factory cut (mitered) to fit the shape of your wall. Each piece will be approximately 6" or 8" long depending on whether you have purchased a wall with 6" or 8" block. Note that each piece is numbered in the factory and the top of the wall frame is numbered with matching numbers. To ensure that the mitered joints fit snugly be sure to match up the numbers when installing the flat or radius cap on a radius wall.

F) If being used for a shower wall, caulk the wall at the base and at the mounting channel.



Hy-Lite block straight walls install in about 1 hour.

1) Carefully remove the wall from the skid and then remove the plywood reinforcing which is used to ensure that the wall does not flex during shipping.

2) Securely fasten the mounting channel to a fixed wall.

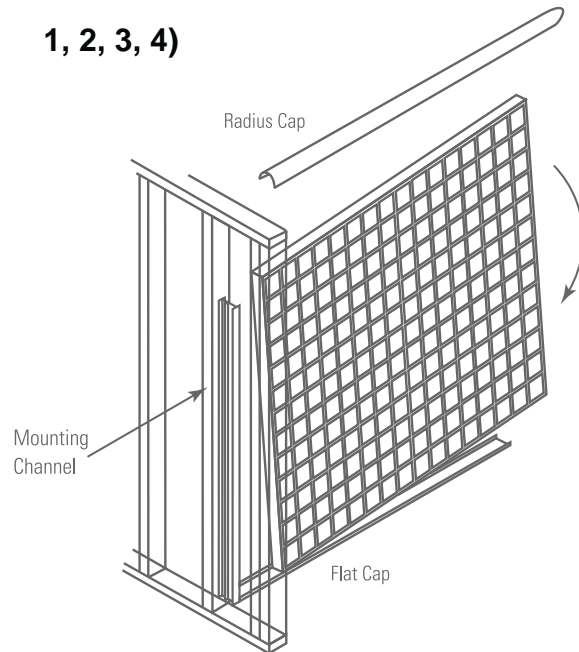
3) Fasten the flat cap to the floor.

4) Swing wall down at an angle while sliding it into the mounting channel. Then locate the wall over the flat cap and press firmly down to snap into place.

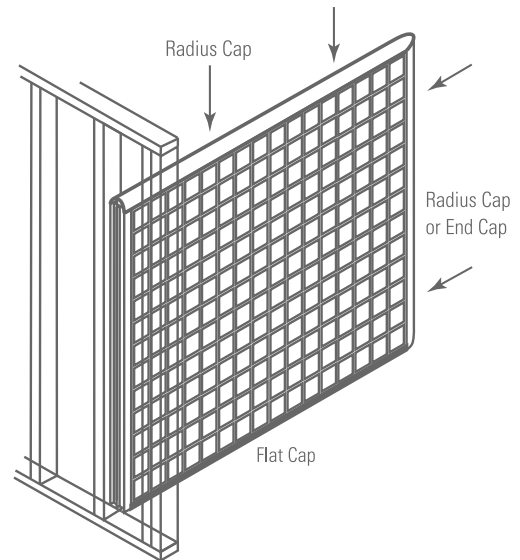
5) Add radius cap (shown) or flat cap to trim off wall.

6) If being used for a shower wall, caulk the wall at the base and at the mounting channel.

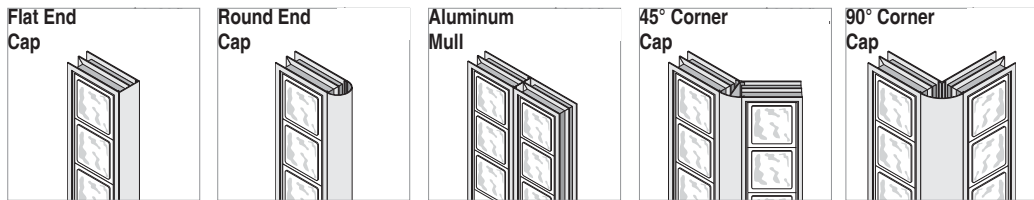
1, 2, 3, 4)



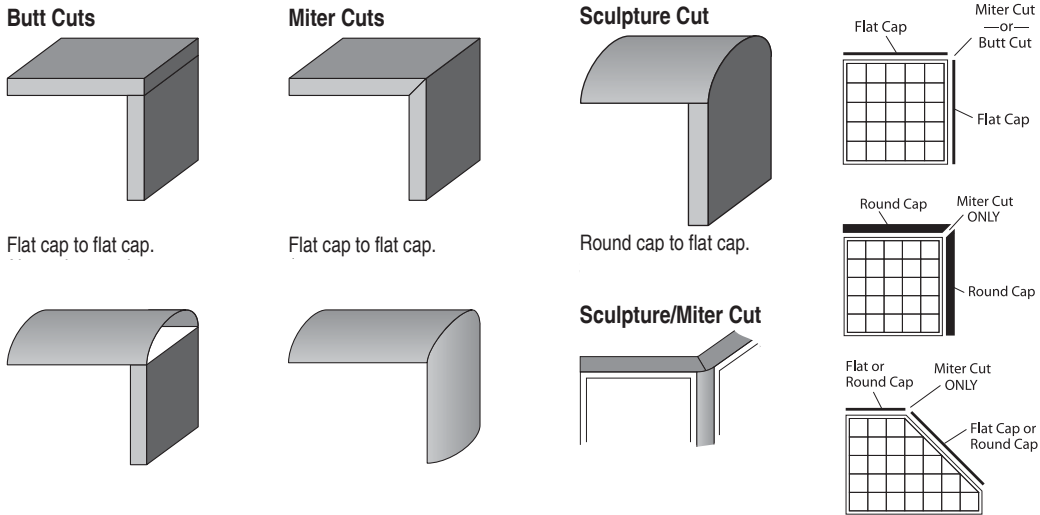
5, 6)



Wall Accessory Applications

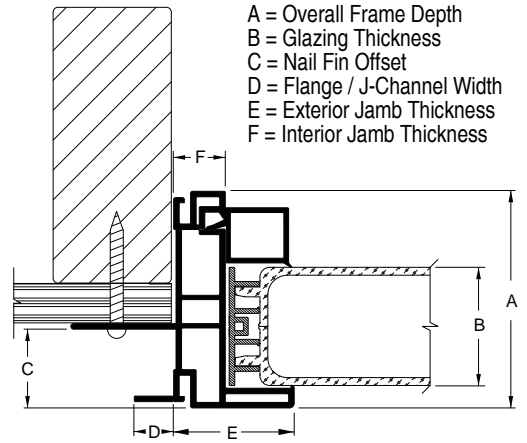


Wall Accessory Cuts

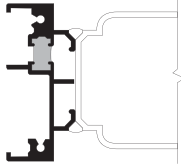


A U.S. BLOCK WINDOWS COMPANY

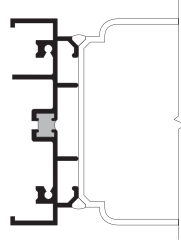
Aluminum Frame Series	Frame Dimensions					
	A	B	C	D	E	F
625/825	2-1/4"	2"	N/A	N/A	5/8"	3/4"
600/800	2-1/4"	2"	N/A	N/A	5/8"	3/4"



625/825 Aluminum for 2" thick blocks

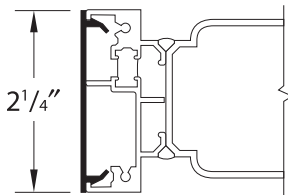


600/800 Aluminum for 3" thick blocks



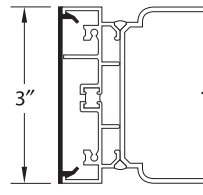
Flat Cap for 2" Thick Blocks

Flat cap can be used to finish off the end of a panel or partition, or to mount wall partitions.



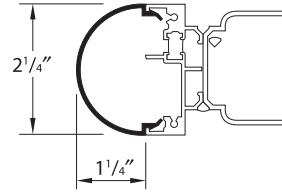
Flat Cap for 3" Thick Blocks

Flat cap can be used to finish off the end of a panel or partition, or to mount wall partitions.



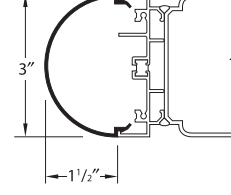
Round Cap for 2" Thick Blocks

Round cap can be used on the end of a panel or partition for a bullnose finish.



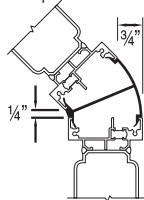
Round Cap for 3" Thick Blocks

Round cap can be used on the end of a panel or partition for a bullnose finish.



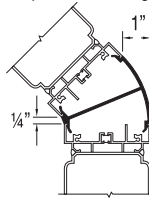
45° Corner Cap for 2" Thick Blocks

The 45° Corner Cap is used to snap together two panels at 45° angles.



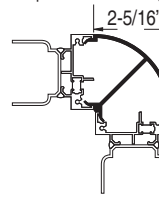
45° Corner Cap for 3" Thick Blocks

The 45° Corner Cap is used to snap together two panels at 45° angles.



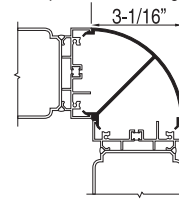
90° Corner Cap for 2" Thick Blocks

The 90° Corner Cap is used to snap together two panels at a 90° angle.



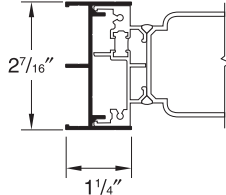
90° Corner Cap for 3" Thick Blocks

The 90° Corner Cap is used to snap together two panels at a 90° angle.



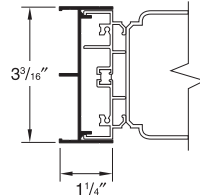
Mounting Channel for 2" Thick Blocks

Used to mount acrylic block wall panels to non-plumb walls.



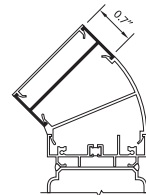
Mounting Channel for 3" Thick Blocks

Used to mount acrylic block wall panels to non-plumb walls.



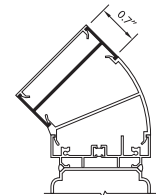
Trim Union for 2" Thick Blocks

Used to join two accessory caps together.



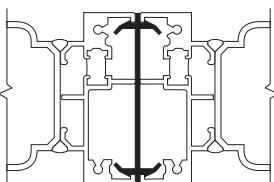
Trim Union for 3" Thick Blocks

Used to join two accessory caps together.



Aluminum Mull for 2" Thick Blocks

Joins two panels together.



Aluminum Mull for 3" Thick Blocks

Joins two panels together.

